

EXIllusion240



LPWEL240-HF

Break Your OC Record with 400W+ TDP

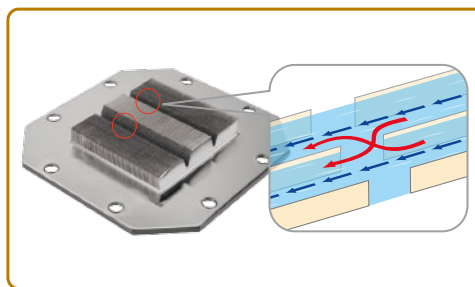
Product Features

- **400W+ TDP cooling capacity.**
Ensuring CPU stability under extensive & prolonged over clocking operation.
- **Rapid CPU hot spot elimination.**
Large copper base with Patented Dual-CDP (Central Diffusing Passage) micro-fin structure accelerates the heat absorption and eliminates CPU hot spot efficiently.
- **Large & transparent LED water block and tubes.**
Double the coolant circulation and easily monitor the coolant flow & volume status.
- **Enrich your coolant color.**
Customize your own coolant color with the 3 different R.G.B. dyes.
- **Anti-corrosion, silent pump bearing.**
The ceramic bearing features anti-corrosive, durable, and silent operation.
- **Dual Convex Blades Fans.**
Advanced aerodynamics design boosts downforce air pressure and creates high-volume airflow.
- **Refillable Coolant Design.**
Allows user to add / alter coolant's composition. Extra 500ml coolant included for future usage.
- **Metal Mounting Kit.**
Supports latest Intel® and AMD® desktop sockets with easy and solid installation.
- **Large Radiator.**
240mm radiator enhances heat exchange capacity and cooling performance.

Close-up Features



Enrich your coolant color



Patented Dual-CDP
(Central Diffusing Passage) Cold Plate

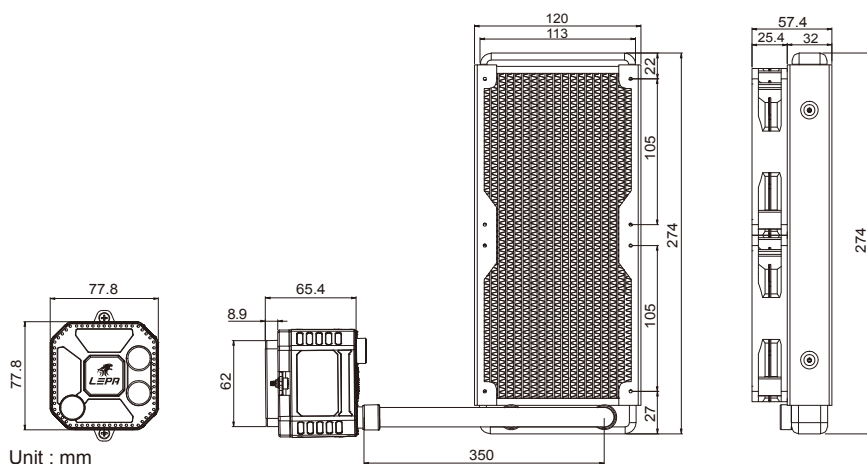


Refillable Coolant Design



Dual Convex Blades

Dimension



Some MB put the capacitors around the boarder of CPU bracket, please carefully install the cooler on can avoid the mechanical interference.

Product Specifications

Model	LPWEL240-HF
CPU Socket	Universal bracket for Intel® LGA 775/1150/1155/1156/1366/2011 and AMD® AM2/AM2+/AM3/AM3+/FM1/FM2/FM2+
Material	Copper base with aluminum radiator
Pump Bearing	Ceramic bearing
Pump MTBF	50,000 hrs
Pump Rated Voltage	12 V
Pump Rated Current	0.3 A
Radiator Dimension	274 x 120 x 32 mm
Fan Dimension	120 x 120 x 25 mm
Fan Speed	500 ~ 1800 rpm
Fan Rated Voltage	12 V
Fan Rated Current	0.3 A
Fan Air Flow	22.5 ~ 81.1 CFM ; 38.2 ~ 137.8 m ³ /h
Fan Static Pressure	0.2 ~ 2.8 mm-H ₂ O
Fan Noise Level	14 ~ 30 dBA
Fan Connector	4 pin PWM